



WDS



WDS 653

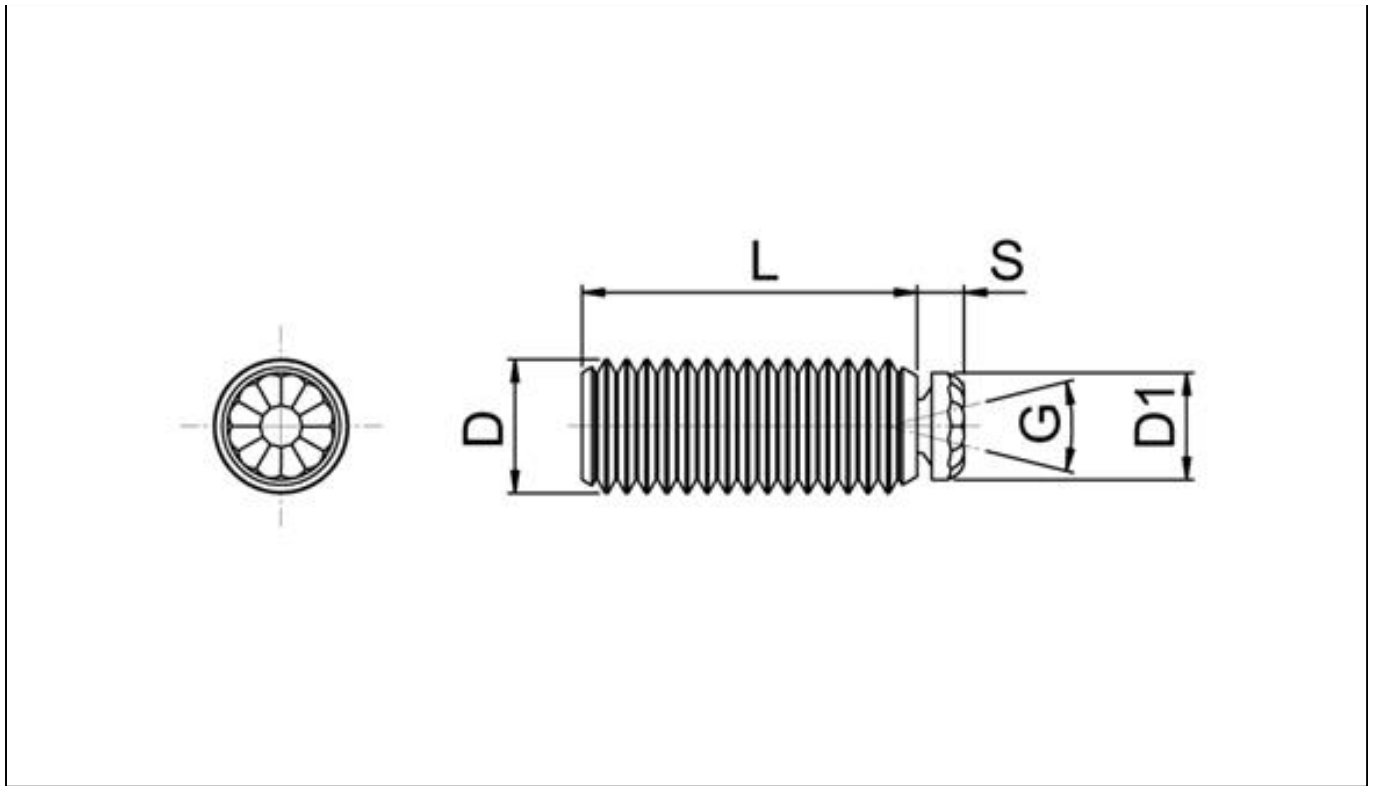
Threaded Body Clamping Pad - Urethane Gripper (WDS 653)

MATERIAL

Body - Alloy Steel HRc43/46 - Black Oxide finish

Ball - 300 series Stainless Steel with a bonded Urethane pad (Durometer Rating 60)

The ball is held in place using a Viton O-Ring which acts as a seal to provide a smooth movement whilst keeping contaminants out.



9 Sizes

WDS NO.	L	D	D1	S	G (DEGREES)	Weight
653-6310025U	25	M10	8	3.5	28	0.01
653-6310035U	35	M10	8	3.5	28	0.014
653-6310050U	50	M10	8	3.5	28	0.022
653-6312025U	25	M12	10	4	28	0.015
653-6312035U	35	M12	10	4	28	0.021
653-6312050U	50	M12	10	4	28	0.033
653-6316025U	25	M16	13	5	28	0.027
653-6316035U	35	M16	13	5	28	0.04
653-6316050U	50	M16	13	5	28	0.06

Registered in England No 6819551 | VAT Reg No: GB 945 9861 64