



# WDS

---

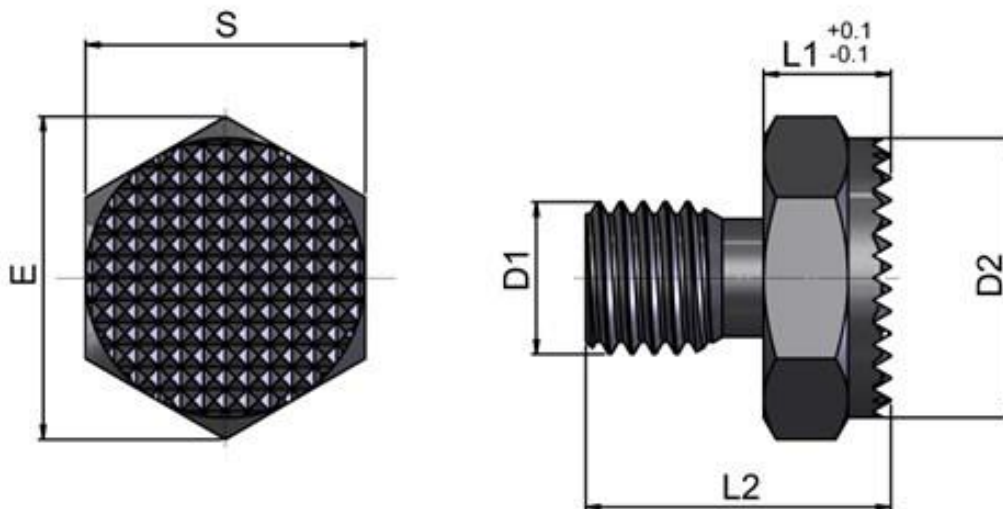


**WDS 602**

## **Rest Button - Serrated (WDS 602)**

**MATERIAL**

Steel Case Hardened  
Chemical Black Finish



### 5 Sizes

WDS NO.	L2	D1	L1	D2	E	S	Weight
602-401	20	M8	10	17	19.4	17	0.03
602-402	24	M12	10	22	25.2	22	0.04
602-403	29	M12	15	22	25.2	22	0.06
602-404	50	M16	15	30	34.6	30	0.13
602-405	55	M16	20	30	34.6	30	0.16

Registered in England No 6819551 | VAT Reg No: GB 945 9861 64