



WDS



WDS 653

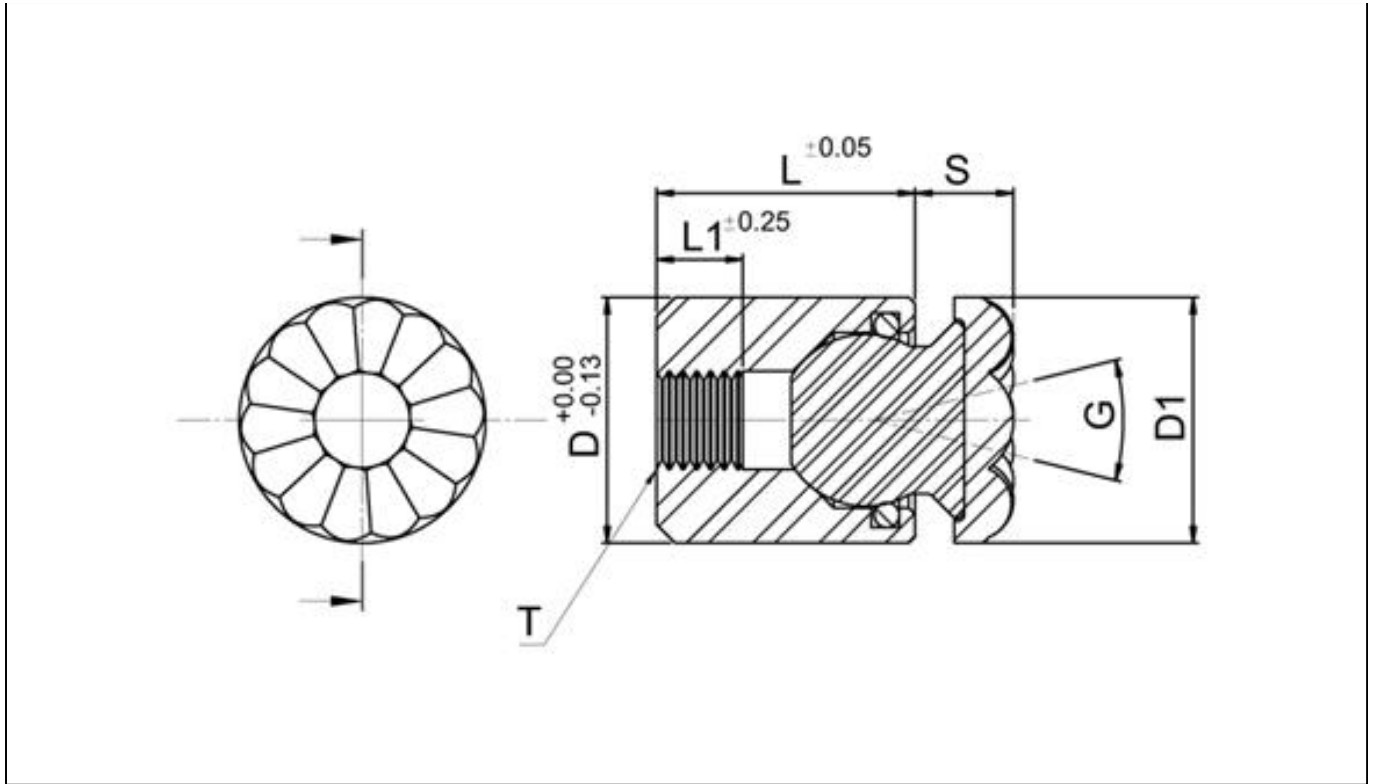
Plain Body Clamping Pad - Urethane Faced Gripper (WDS 653)

MATERIAL

Body - Alloy Steel HRc43/46 - Black Oxide finish

Ball - 300 series Stainless Steel with a bonded Urethane pad (Durometer Rating 60)

The ball is held in place using a Viton O-Ring which acts as a seal to provide a smooth movement whilst keeping contaminants out.



7 Sizes

WDS NO.	L	D	D1	L1	T	S	G (DEGREES)	Weight
653-611012U	10.5	10	10	3.5	M4	4	28	0.006
653-611025U	23.5	10	10	9	M4	4	28	0.013
653-611316U	14.5	13	13	6.5	M5	5	28	0.015
653-611325U	23.5	13	13	9	M5	5	28	0.023
653-611722U	18	17	16	7.5	M6	5	28	0.032
653-611924U	20	19	21	8.5	M8	6	24	0.046
653-612428U	24	24	23	9	M10	6	24	0.085

Registered in England No 6819551 | VAT Reg No: GB 945 9861 64