



WDS



WDS 653

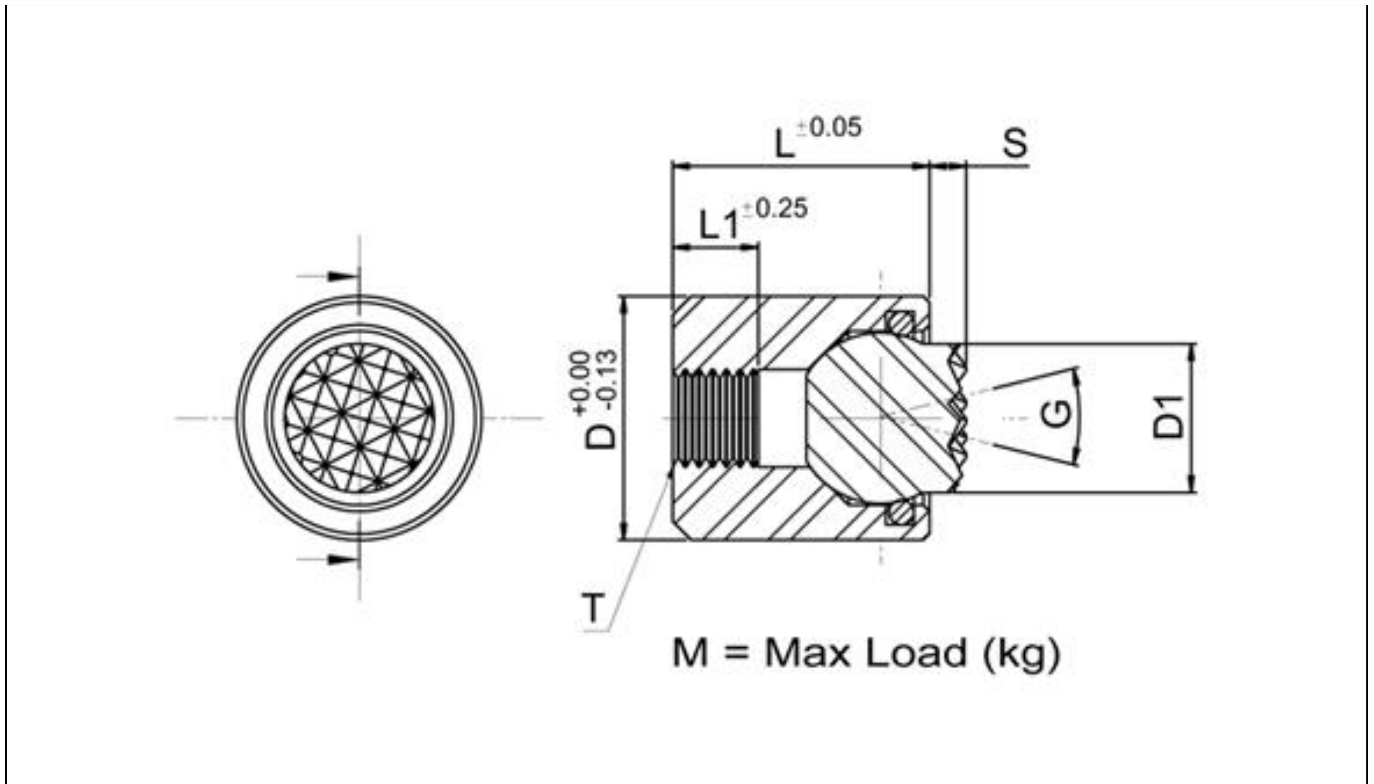
Plain Body Clamping Pad - Serrated Faced Gripper (WDS 653)

Material

Body - Alloy Steel HRc43/46 - Black Oxide finish

Ball - M2 High Speed Steel HRc60/62

The ball is held in place using a Viton O-Ring which acts as a seal to provide a smooth movement whilst keeping contaminants out.



7 Sizes

WDS NO.	L	D	D1	L1	T	M	S	G (DEGREES)	Weight
653-611012S	10.5	10	6	3.5	M4	1175	1.5	28	0.005
653-611025S	23.5	10	6	9	M4	1175	1.5	28	0.012
653-611316S	14.5	13	8.5	6.5	M5	2020	1.5	24	0.013
653-611325S	23.5	13	8.5	9	M5	2020	1.5	24	0.021
653-611722S	18	17	10	7.5	M6	2800	4	42	0.031
653-611924S	20	19	12	8.5	M8	3950	4	45	0.042
653-612428S	24	24	16	9	M10	5950	4	40	1

Registered in England No 6819551 | VAT Reg No: GB 945 9861 64