



# WDS

---



## WDS 653

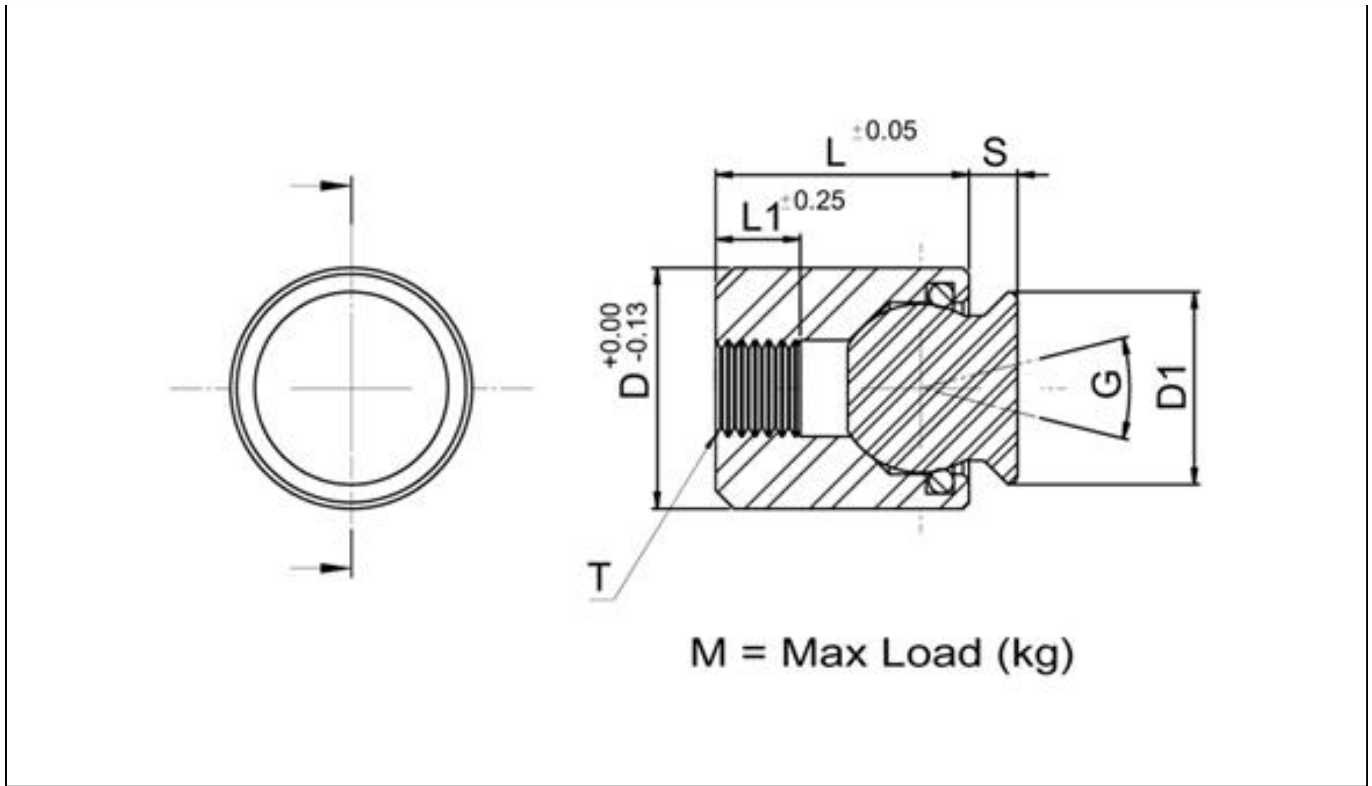
### Plain Body Clamping Pad - Diamond Faced Gripper (WDS 653)

#### MATERIAL

Body - Alloy Steel HRc43/46 - Black Oxide finish

Ball - 300 series Stainless Steel with a bonded Diamond face (100 Grit equivalent)

The ball is held in place using a Viton O-Ring which acts as a seal to provide a smooth movement whilst keeping contaminants out.



### 7 Sizes

WDS NO.	L	D	D1	L1	T	M	S	G (DEGREES)	Weight
653-611012D	10.5	10	8	3.5	M4	1175	2	28	0.006
653-611025D	23.5	10	8	9	M4	1175	2	28	0.013
653-611316D	14.5	13	11	6.5	M5	2020	3	28	0.015
653-611325D	23.5	13	11	9	M5	2020	3	28	0.023
653-611722D	18	17	14	7.5	M6	2800	3	28	0.031
653-611924D	20	19	19	8.5	M8	3950	4	24	0.045
653-612428D	24	24	21	9	M10	5950	4	24	0.084

Registered in England No 6819551 | VAT Reg No: GB 945 9861 64