



WDS

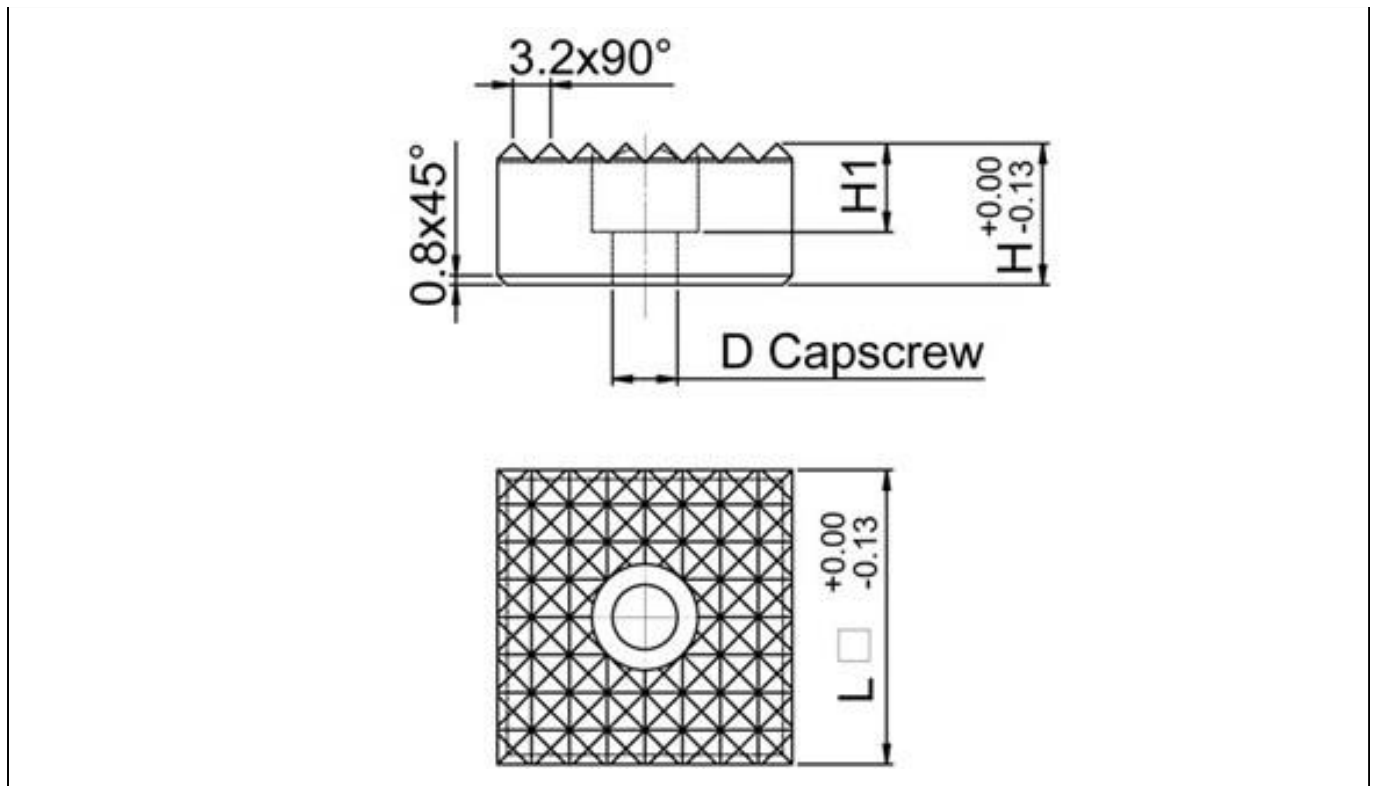


WDS 698

Metric Square Hardened Steel C/Bored Gripper - Fine Tooth Pattern (WDS 698)

MATERIAL

Tool Steel Hardened
Chemical Black Finish



8 Sizes

WDS NO.	H1	L	D	H	Tooth Pattern	Weight
698-653	5.5	12	M4	10	-	0.005
698-654	5.5	12	M4	12	-	0.005
698-655	5.5	16	M4	10	-	0.005
698-656	5.5	16	M4	12	-	0.005
698-657	6.5	20	M5	10	-	0.005
698-658	6.5	20	M5	12	-	0.005
698-659	7.5	25	M6	10	-	0.005
698-660	7.5	25	M6	12	-	0.005