



# WDS

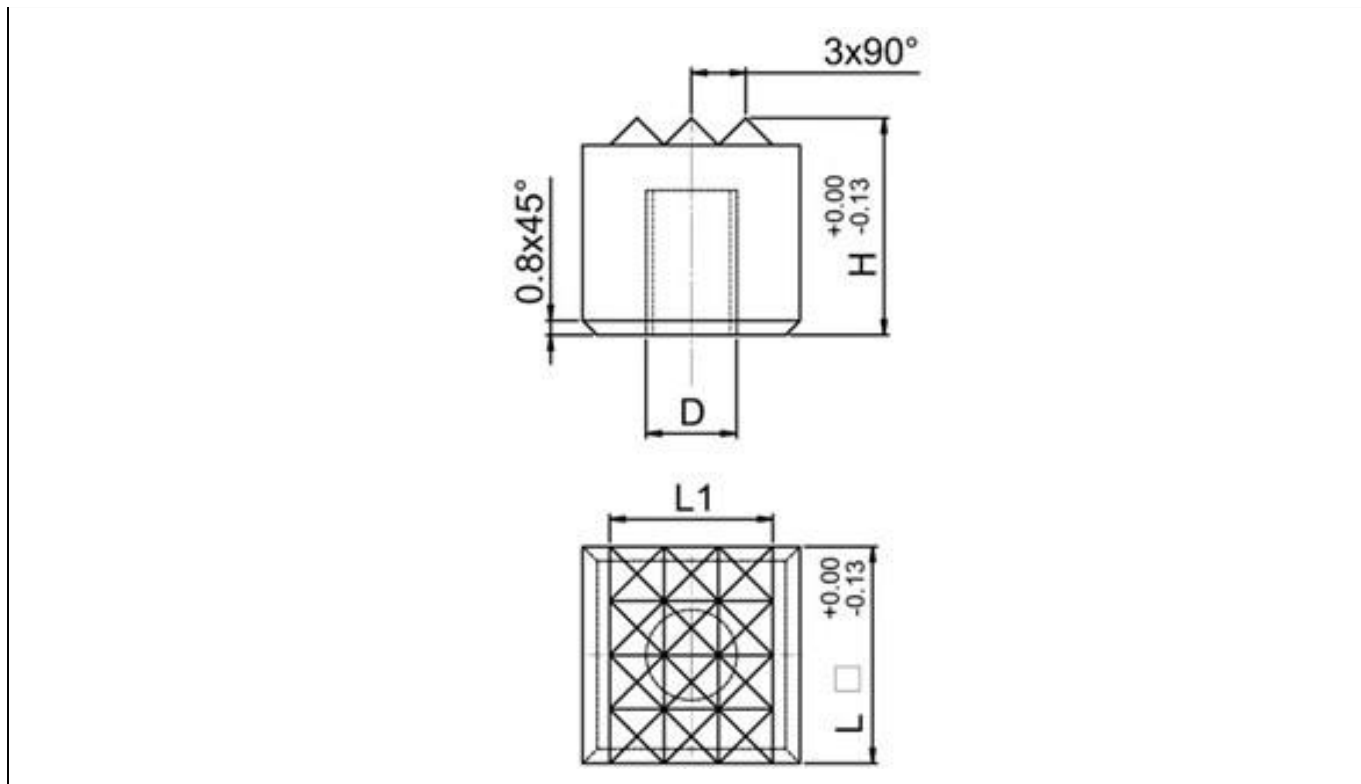
---



**WDS 698**

## **Metric Square Carbide Tipped Gripper - Fine Tooth Pattern (WDS 698)**

**MATERIAL**  
Body Steel  
Insert Carbide



2 Sizes

WDS NO.	L	D	H	L1	Tooth Pattern	Weight
698-503	12	M5	10	10.3	-	0.007
698-504	12	M5	12	10.3	-	0.012

Registered in England No 6819551 | VAT Reg No: GB 945 9861 64