



WDS



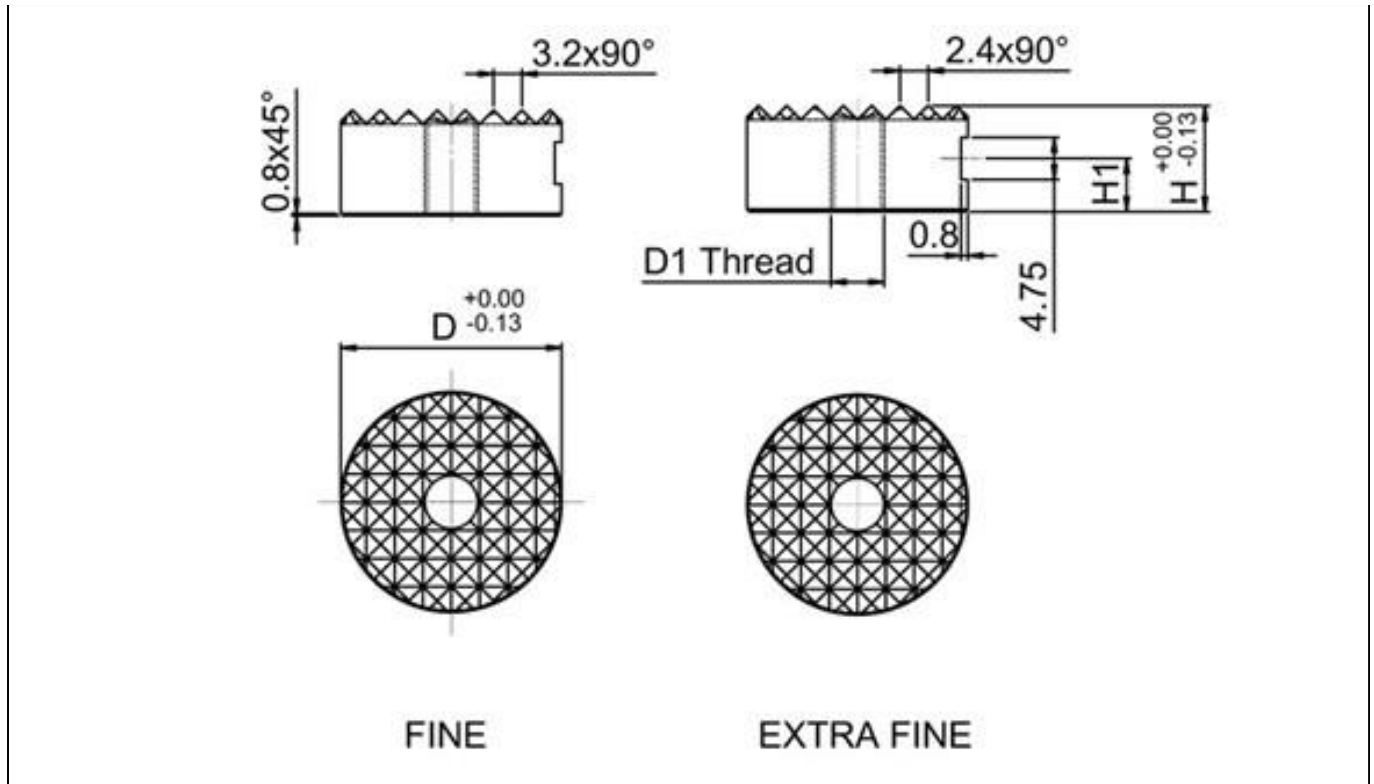
WDS 698

Metric Round Hardened Steel Gripper - Ex-Fine and Fine Tooth Pattern (WDS 698)

MATERIAL

Tool Steel hardened

Chemical Black Finish



10 Sizes

WDS NO.	H1	D	D1	H	Tooth Pattern	Weight
698-301	4.5	10	M5	10	-	0.005
698-302	6	10	M5	12	-	0.006
698-303	4.5	12	M5	10	-	0.008
698-304	6	12	M5	12	-	0.009
698-305	4.5	16	M6	10	-	0.014
698-306	6	16	M6	12	-	0.017
698-307	4.5	20	M6	10	-	0.023
698-308	6	20	M6	12	-	0.027
698-309	4.5	25	M6	10	-	0.037
698-310	6	25	M6	12	-	0.044

Registered in England No 6819551 | VAT Reg No: GB 945 9861 64