



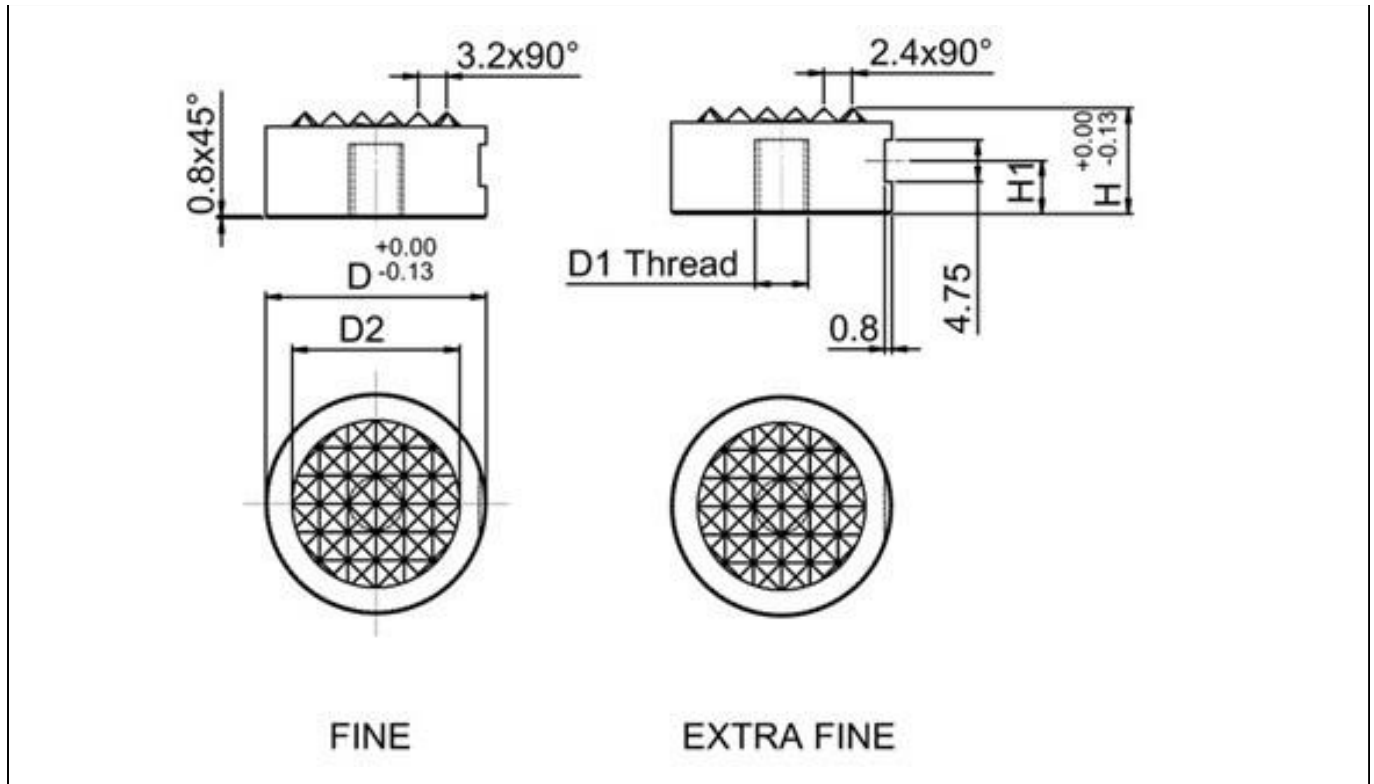
WDS



WDS 698

**Metric Round Carbide Tipped
Gripper - Ex Fine and Fine Tooth
Pattern (WDS 698)**

MATERIAL
Body Steel
Insert Carbide



10 Sizes

WDS NO.	H1	D	D1	H	D2	Tooth Pattern	Weight
698-201	4.5	10	M5	10	7.9	-	0.005
698-202	6	10	M5	12	7.9	-	0.006
698-203	4.5	12	M5	10	9.5	-	0.008
698-204	6	12	M5	12	9.5	-	0.009
698-205	4.5	16	M6	10	12.7	-	0.014
698-206	6	16	M6	12	12.7	-	0.017
698-207	4.5	20	M6	10	15.9	-	0.023
698-208	6	20	M6	12	15.9	-	0.027
698-209	4.5	25	M6	10	19	-	0.037
698-210	6	25	M6	12	19	-	0.044

Registered in England No 6819551 | VAT Reg No: GB 945 9861 64