



# WDS

---



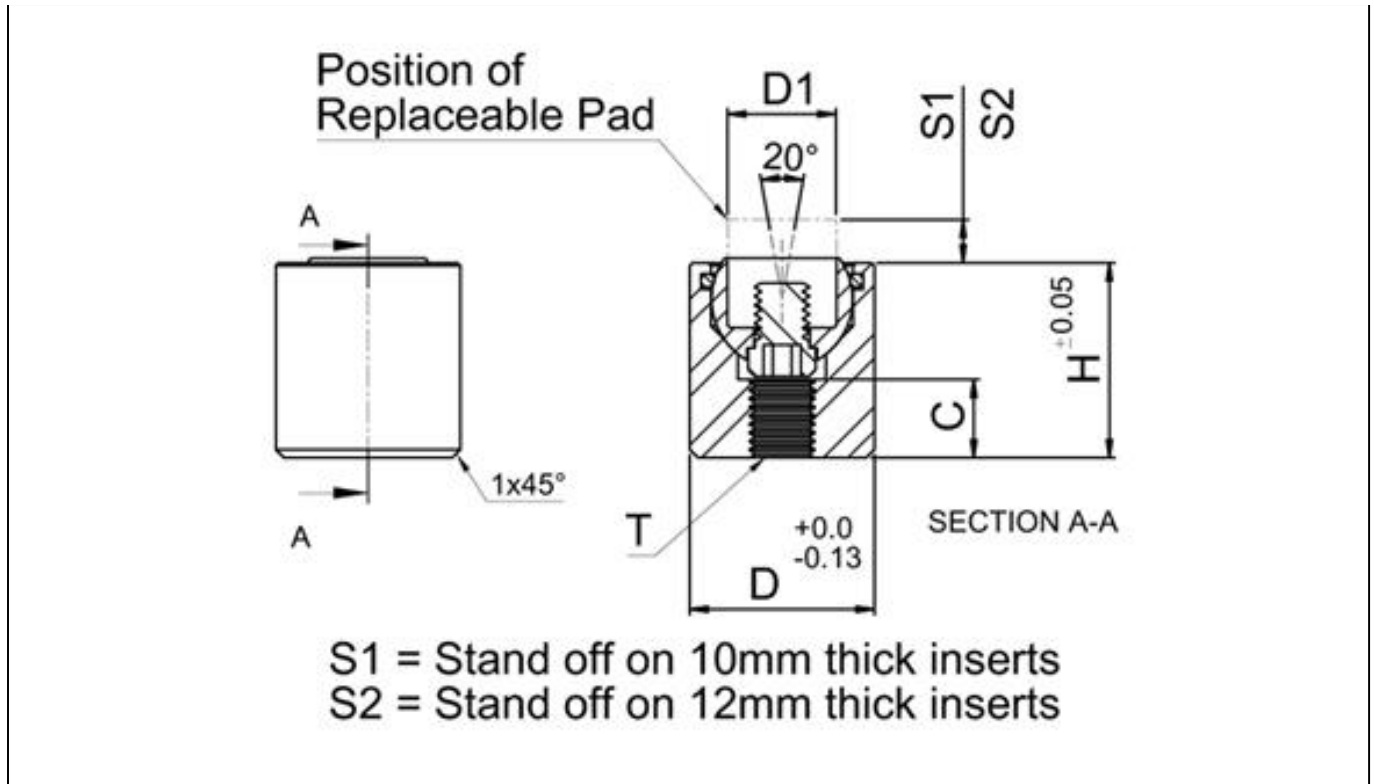
**WDS 653**

## **Metric Plain Body Clamping Pad - Replaceable Gripper (WDS 653)**

**MATERIAL**

Alloy Steel Rc43/46 - Black Oxide finish

Supplied without Inserts - For Inserts refer to 698 range



## 5 Sizes

WDS NO.	D	D1	H	C	T	S1	S2	Weight
653-511722	17	10	18	7.5	M6	4	6	0.003
653-511924	19	12	20	8.5	M8	4	6	0.005
653-512428	24	16	24	9	M10	4	6	0.014
653-513030	30	20	26	8.5	M12	4	6	0.019
653-513636	36	25	32	12	M12	4	6	0.039

Registered in England No 6819551 | VAT Reg No: GB 945 9861 64