



WDS



WDS 653

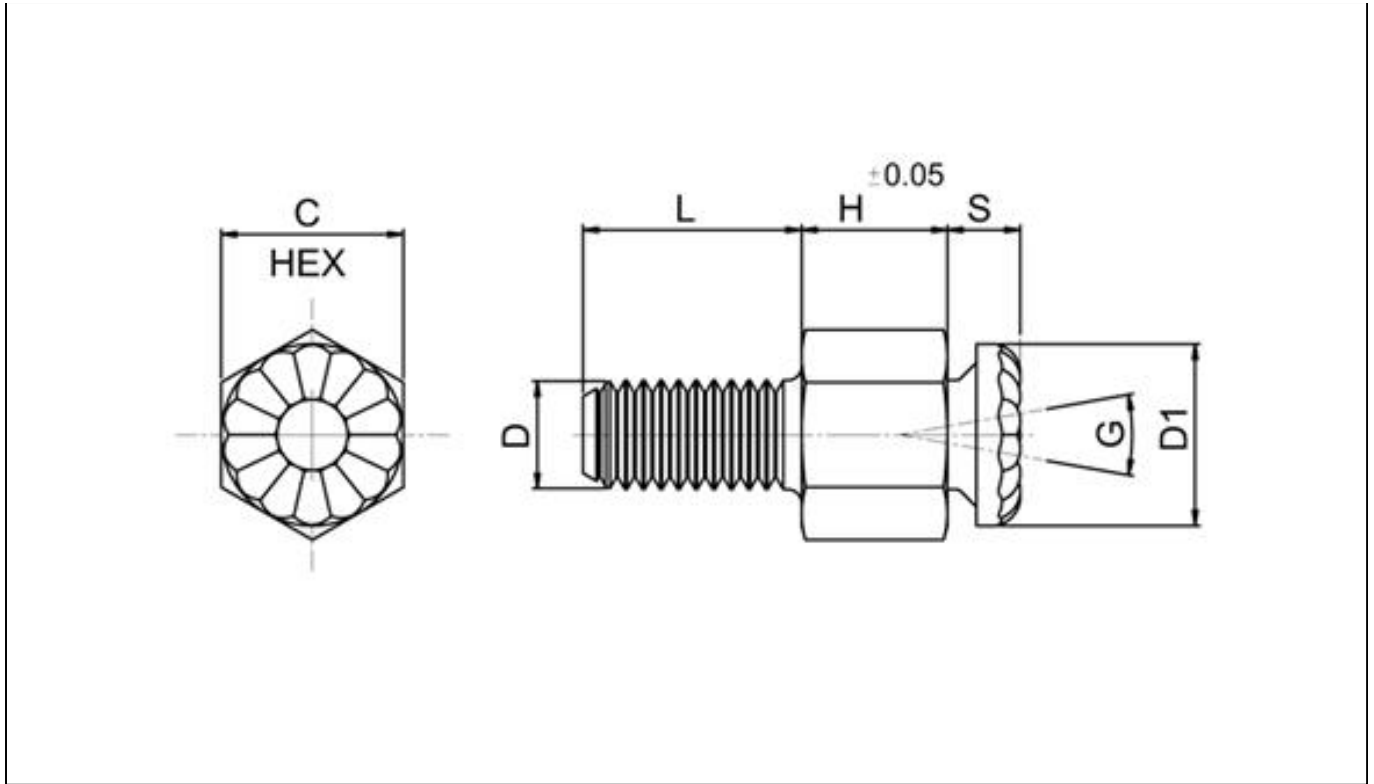
Hexagon Body Clamping Pads - Urethane Gripper (WDS 653)

MATERIAL

Body - Alloy Steel HRc43/46 - Black Oxide finish

Ball - 300 series Stainless Steel with a bonded Urethane pad (Durometer Rating 60)

The ball is held in place using a Viton O-Ring which acts as a seal to provide a smooth movement whilst keeping contaminants out.



6 Sizes

WDS NO.	L	D	D1	H	C	S	G (DEGREES)	Weight
653-626012U	12	M6	6	8	10	4	28	0.008
653-626025U	25	M6	6	8	10	4	28	0.01
653-626040U	40	M6	6	8	10	4	28	0.012
653-628012U	12	M8	8.5	11.5	13	5	28	0.018
653-628025U	25	M8	8.5	11.5	13	5	28	0.022
653-628040U	40	M8	8.5	11.5	13	5	28	0.026

Registered in England No 6819551 | VAT Reg No: GB 945 9861 64