



WDS



WDS 653

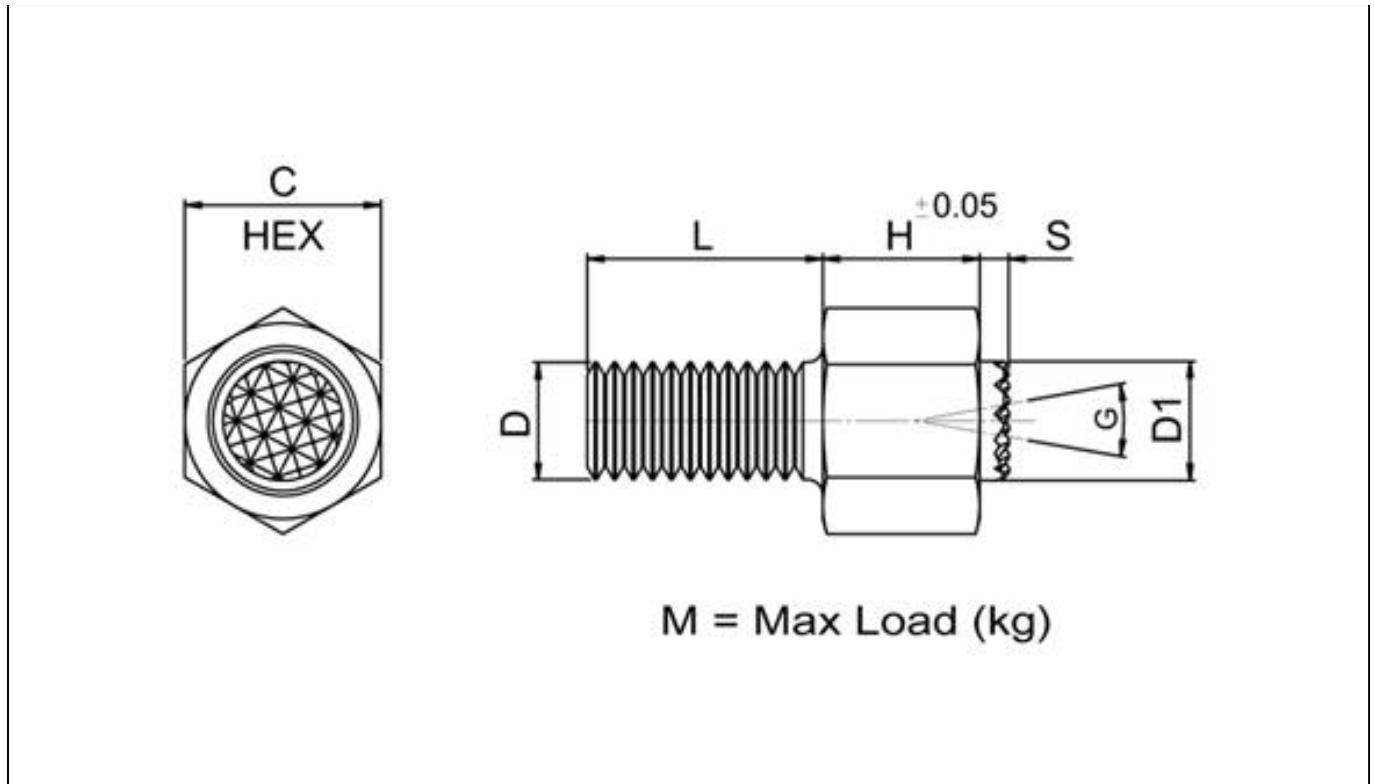
Hexagon Body Clamping Pad - Serrated Gripper (WDS 653)

MATERIAL

Body - Alloy Steel HRc43/46 - Black Oxide finish

Ball - M2 High Speed Steel HRc60/62

The ball is held in place using a Viton O-Ring which acts as a seal to provide a smooth movement whilst keeping contaminants out.



6 Sizes

WDS NO.	L	D	D1	H	C	M	S	G (DEGREES)	Weight
653-626012S	12	M6	6	8	10	935	1.5	28	0.007
653-626025S	25	M6	6	8	10	935	1.5	28	0.009
653-626040S	40	M6	6	8	10	935	1.5	28	0.011
653-628012S	12	M8	8.5	11.5	13	1550	1.5	24	0.018
653-628025S	25	M8	8.5	11.5	13	1550	1.5	24	0.018
653-628040S	40	M8	8.5	11.5	13	1550	1.5	24	0.018

Registered in England No 6819551 | VAT Reg No: GB 945 9861 64