



# WDS

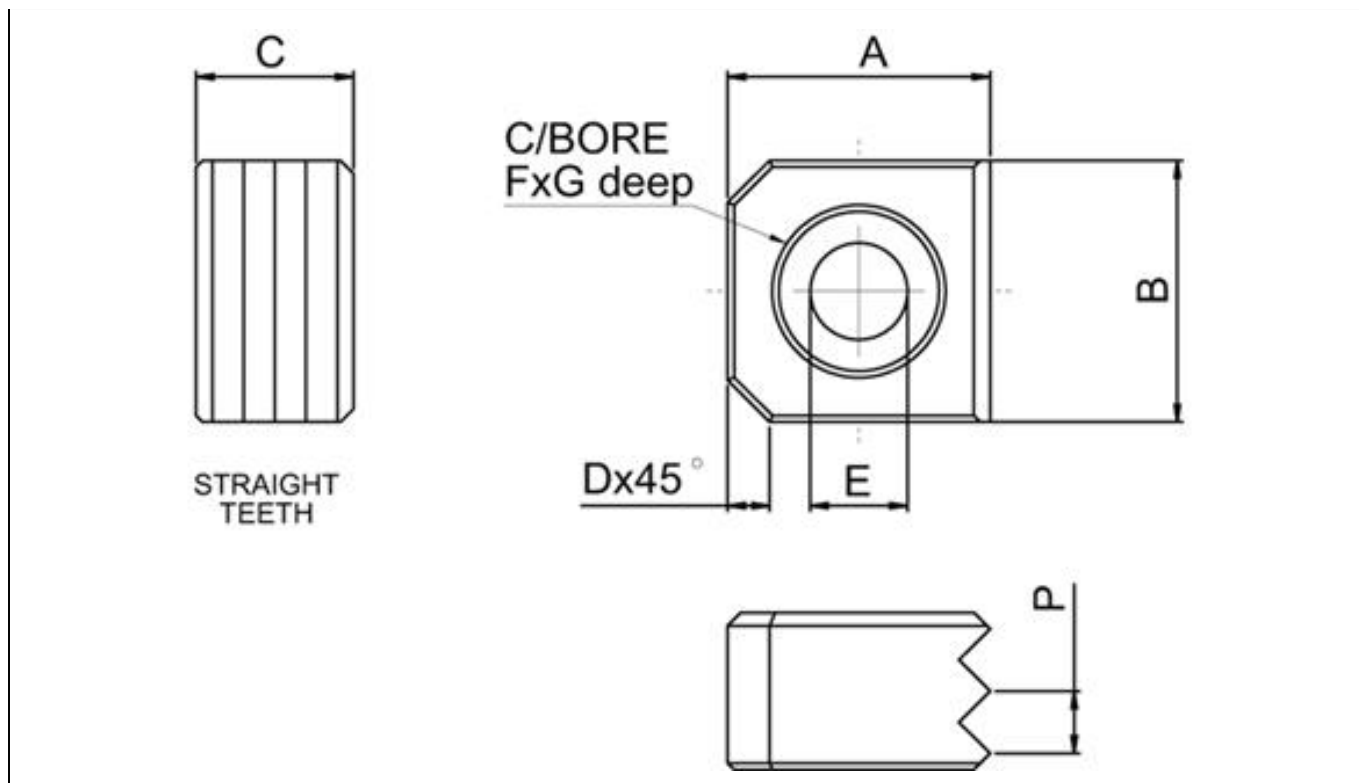
---



**WDS 698**

## **Edge Grippers - Straight Tooth Pattern (WDS 698)**

**MATERIAL**  
Hardened Steel



## 13 Sizes

WDS NO.	F	D	E	G	P	Tooth Pattern	A +0/-0.13	B +0/-0.13	C +0/-0.13	Weight
698-851	6.1	1.6	3.7	3.2	2.38	-	10	10	6	0.004
698-852	6.1	1.6	3.7	3.2	2.38	-	10	10	10	0.005
698-853	8	2.3	4.5	4.1	3.18	-	12	12	6	0.006
698-854	8	2.3	4.5	4.1	3.18	-	12	12	10	0.009
698-855	8	2.3	4.5	4.1	3.18	-	12	12	12	0.011
698-856	11	3.2	6.6	4.2	3.18	-	16	16	6	0.02
698-857	11	3.2	6.6	4.2	3.18	-	16	16	10	0.022
698-858	11	3.2	6.6	4.2	3.18	-	16	16	12	0.03
698-859	15	3.2	9	5.1	3.18	-	20	20	6	0.016
698-860	15	3.2	9	5.1	3.18	-	20	20	10	0.026
698-861	15	3.2	9	5.1	3.18	-	20	20	12	0.032

<b>WDS NO.</b>	<b>F</b>	<b>D</b>	<b>E</b>	<b>G</b>	<b>P</b>	<b>Tooth Pattern</b>	<b>A +0/-0.13</b>	<b>B +0/-0.13</b>	<b>C +0/-0.13</b>	<b>Weight</b>
698-862	18	3.2	11	6.6	3.18	-	25	25	10	0.04
698-863	18	3.2	11	6.6	3.18	-	25	25	12	0.02

---

Registered in England No 6819551 | VAT Reg No: GB 945 9861 64