



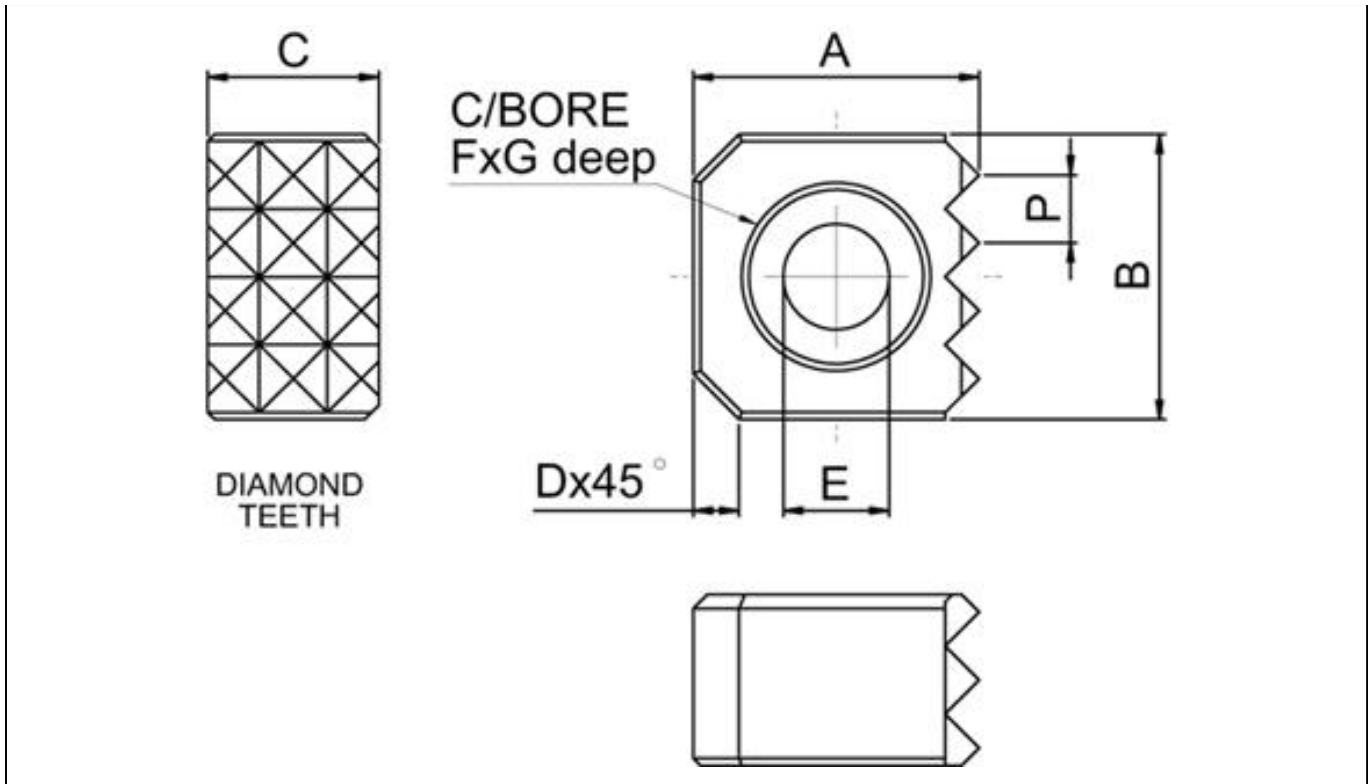
WDS



WDS 698

Edge Grippers - Diamond Tooth Pattern (WDS 698)

MATERIAL
Hardened Steel



13 Sizes

WDS NO.	F	D	E	G	P	Tooth Pattern	A +0/-0.13	B +0/-0.13	C +0/-0.13	Weight
698-801	6.1	1.6	3.7	3.2	2.38	-	10	10	6	0.005
698-802	6.1	1.6	3.7	3.2	2.38	-	10	10	10	0.05
698-803	8	2.3	4.5	4.1	3.18	-	12	12	6	0.05
698-804	8	2.3	4.5	4.1	3.18	-	12	12	10	0.05
698-805	8	2.3	4.5	4.1	3.18	-	12	12	12	0.011
698-806	11	3.2	6.6	4.2	3.18	-	16	16	6	0.025
698-807	11	3.2	6.6	4.2	3.18	-	16	16	10	0.03
698-808	11	3.2	6.6	4.2	3.18	-	16	16	12	0.025
698-809	15	3.2	9	5.1	3.18	-	20	20	6	0.015
698-810	15	3.2	9	5.1	3.18	-	20	20	10	0.032
698-811	15	3.2	9	5.1	3.18	-	20	20	12	0.05

WDS NO.	F	D	E	G	P	Tooth Pattern	A +0/-0.13	B +0/-0.13	C +0/-0.13	Weight
698-812	18	3.2	11	6.6	3.18	-	25	25	10	0.05
698-813	18	3.2	11	6.6	3.18	-	25	25	12	0.05

Registered in England No 6819551 | VAT Reg No: GB 945 9861 64