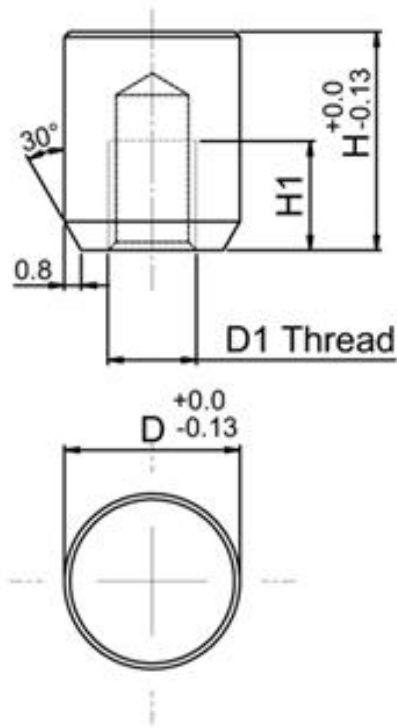


**WDS 698****Diamond Faced Gripper - Metric  
(WDS 698)****MATERIAL**

300 series Stainless Steel with a bonded Diamond face  
(100 Grit equivalent)

Can be used independently or to suit WDS653 Gripper  
Bodies



### 12 Sizes

WDS NO.	H1	D	D1	H	Weight
698-4207	5	8	M4	10	0.003
698-4208	6.4	8	M4	12	0.004
698-421	5	10	M5	10	0.005
698-422	6.4	10	M5	12	0.006
698-423	5	12	M5	10	0.007
698-424	6.4	12	M5	12	0.009
698-425	5	16	M6	10	0.014
698-426	6.4	16	M6	12	0.016
698-427	5	20	M6	10	0.022
698-428	6.4	20	M6	12	0.026
698-429	5	25	M6	10	0.035

<b>WDS NO.</b>	<b>H1</b>	<b>D</b>	<b>D1</b>	<b>H</b>	<b>Weight</b>
698-430	6.4	25	M6	12	0.042

---

Registered in England No 6819551 | VAT Reg No: GB 945 9861 64