



WDS



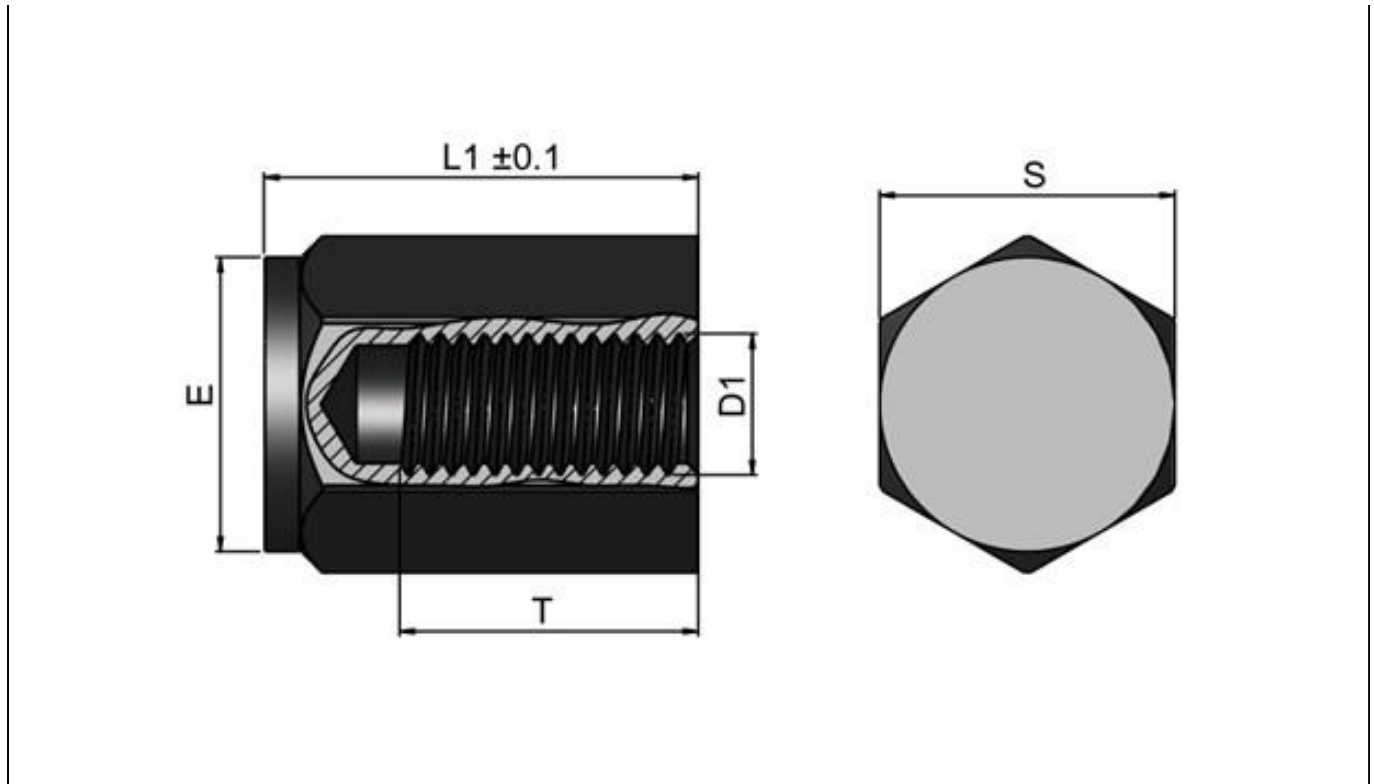
WDS 603

Rest Button - Plain or Serrated (WDS 603)

MATERIAL

Steel Case Hardened
Chemical Black Finish

These rest buttons are available with either a plain clamping face, or with a serrated clamping face.



18 Sizes

WDS NO.	D1	L1	D2	T	E	S	Weight
603-401	M8	15	17	6	19.4	17	0.025
603-402	M8	25	17	16	19.4	17	0.04
603-403	M12	20	22	10	25.2	22	0.05
603-404	M12	25	22	15	25.2	22	0.07
603-405	M12	30	22	20	25.2	22	0.08
603-406	M12	40	22	25	25.2	22	0.11
603-407	M12	50	22	25	25.2	22	0.14
603-408	M16	30	30	20	34.6	30	0.14
603-409	M16	50	30	25	34.6	30	0.25
603-451	M8	15	17	6	19.4	17	0.02
603-452	M8	25	17	16	19.4	17	0.04

WDS NO.	D1	L1	D2	T	E	S	Weight
603-453	M12	20	22	10	25.2	22	0.05
603-454	M12	25	22	15	25.2	22	0.07
603-455	M12	30	22	20	25.2	22	0.08
603-456	M12	40	22	25	25.2	22	0.11
603-457	M12	50	22	25	25.2	22	0.14
603-458	M16	30	30	20	34.6	30	0.05
603-459	M16	50	30	25	34.6	30	0.25

Registered in England No 6819551 | VAT Reg No: GB 945 9861 64